

L O N D O N W A L L

Type G100

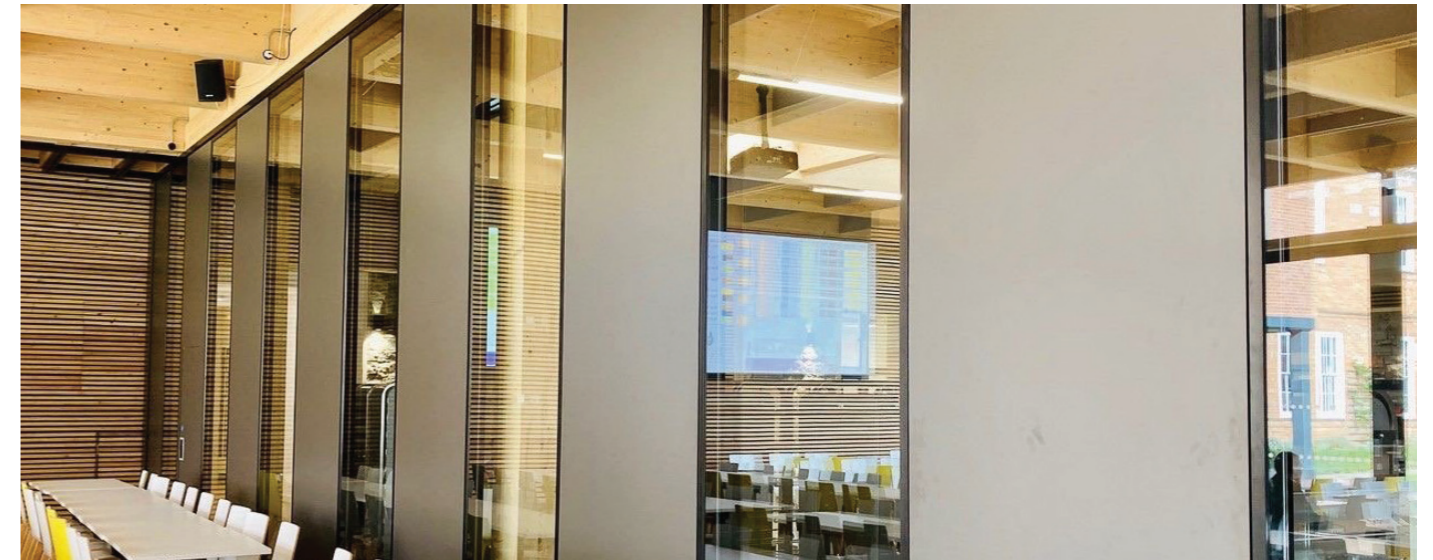


Type G100 is a Fully Glazed Movable Acoustic Wall System. Previously clients needed to choose between a solid panel system with sound reducing properties and a glazed non acoustic system. G100 now provides a solution where light and high acoustic performance is combined in one complete system.

Overview

G100 can be integrated with our solid type 100SE system to create a clear visual separation or a solid look when privacy is needed or when a pass door panel is required. G100 is also available with internal blinds housed within the double glazed unit, which are electrically operated.

- Fully glazed, top-hung, individual panels
- Semi or fully electric operation
- Sound reduction up to Rw 54dB
- Internal blinds available

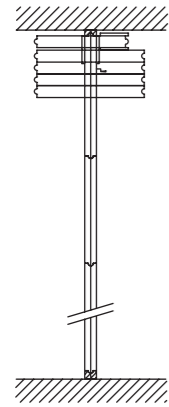


Features

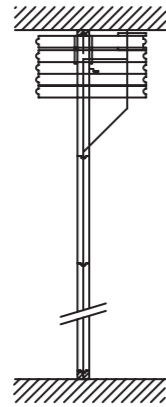
- Height:** Up to 4,000mm
- Panel Width:** Upto 1,250mm
- Sound Reduction:** Up to Rw 54dB
- Glass Thickness:** 4-10mm
- Suspension method:** Top hung, no floor track
- Operation Mode:** Semi-electric (with manual override)
- Panel Type:** Individual panel
- Seal Type:** Electronically operated automatic seals
- Panel Construction:** Glass with aluminium frame
- Panel Weight:** Up to 40kg/m²
- Pass Door Panels:** Single Inset
- Usage:** Internal
- Panel Edges:** 33mm to all sides
- Panel Finishes:** Standard colours Silver or White, or chosen RAL
- Other Options:** Automatic internal blinds

- Stacking Options:** TL1 ('E' system), TL2 ('Za' system), TL3 ('Zb' system), TL4 ('Z' system), TL5 ('K' system), TL6 ('K' system), TL7 ('K' system), TL8 ('K' system)

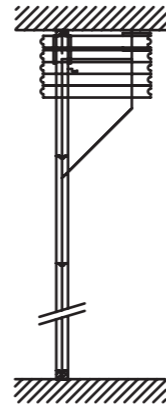




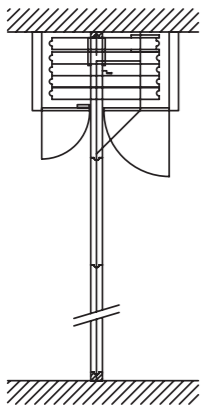
TL1 ('E' System)



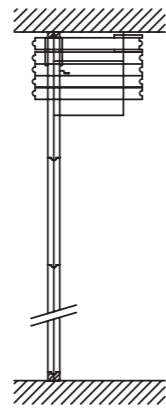
TL2 ('Za' System)



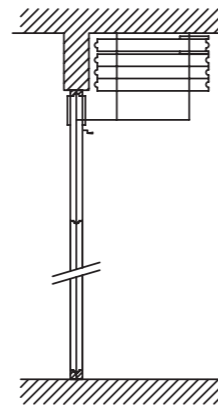
TL3 ('Zb' System)



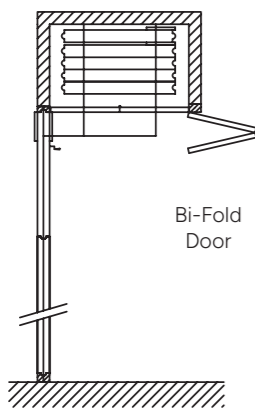
TL4 ('Z' System)



TL5 ('K' System)

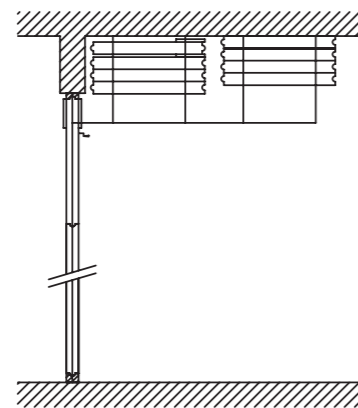


TL6 ('K' System)
Panels stacked behind reveal.



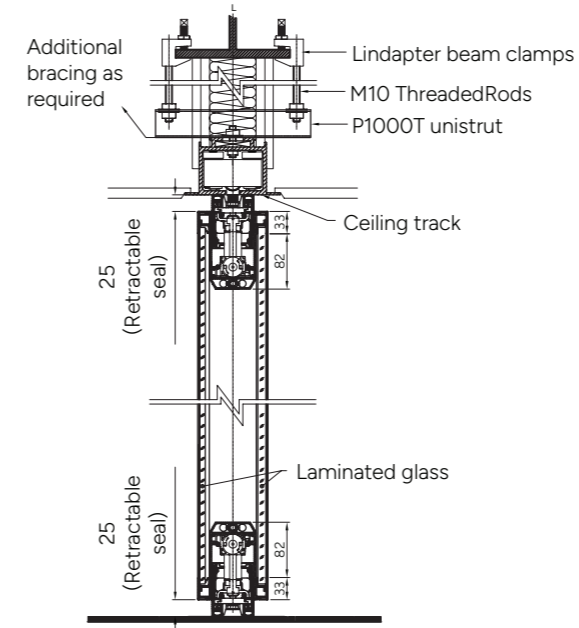
TL7 ('K' System)

Panels stacked inside wall recess.

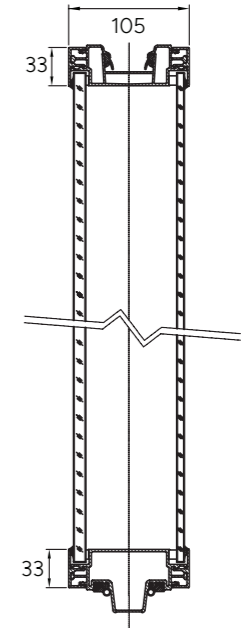


TL8 ('K' System)

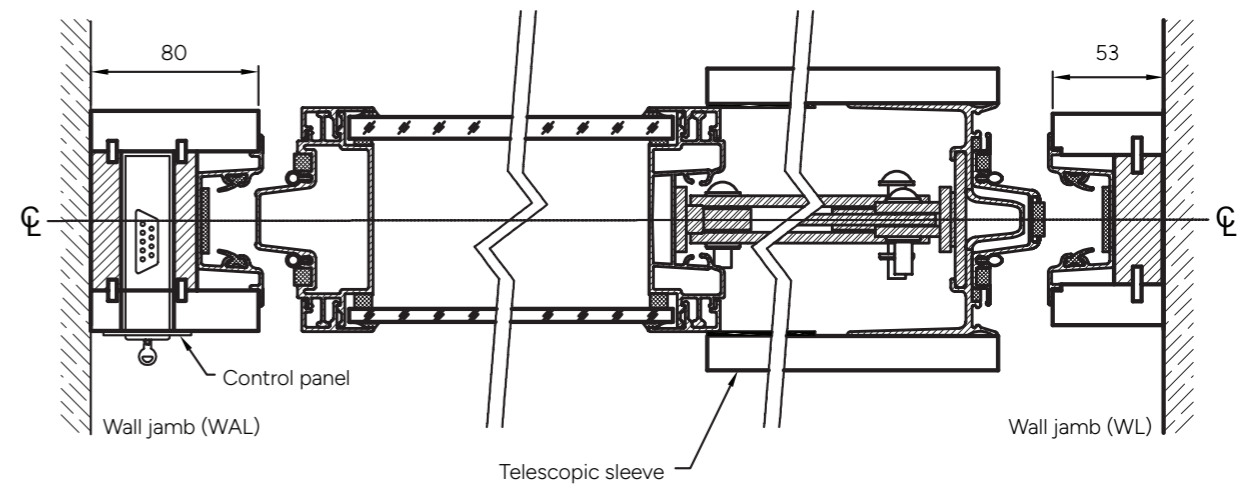
Panels stacked in branches to one or both sides.



Vertical Section Through Standard Panel (NE)



Horizontal Section Through Standard Panel



Horizontal Section Through Telescopic Panel (TE) & Wall Jambs (WL + WAL)



LONDONWALL

www.londonwall.co.uk
info@londonwall.co.uk
020 8391 8750

London Wall Design Ltd
63 Barwell Business Park
Chessington
KT9 2NY